


**353CP015**

**353TA015**

**354CP015**

**354TA015**

Valvola termostaticabile angolo M1/2"×3/4"EK mono/bitubo con by-pass e detentore. Interasse 40mm.  
 Angle thermostatic mono/bitube valve M1/2"×3/4"EK with by-pass and lockshield.  
 Distance between connections 40 mm.

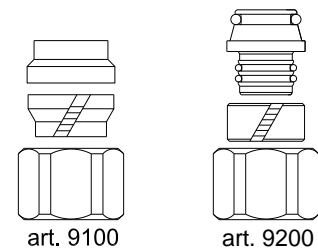
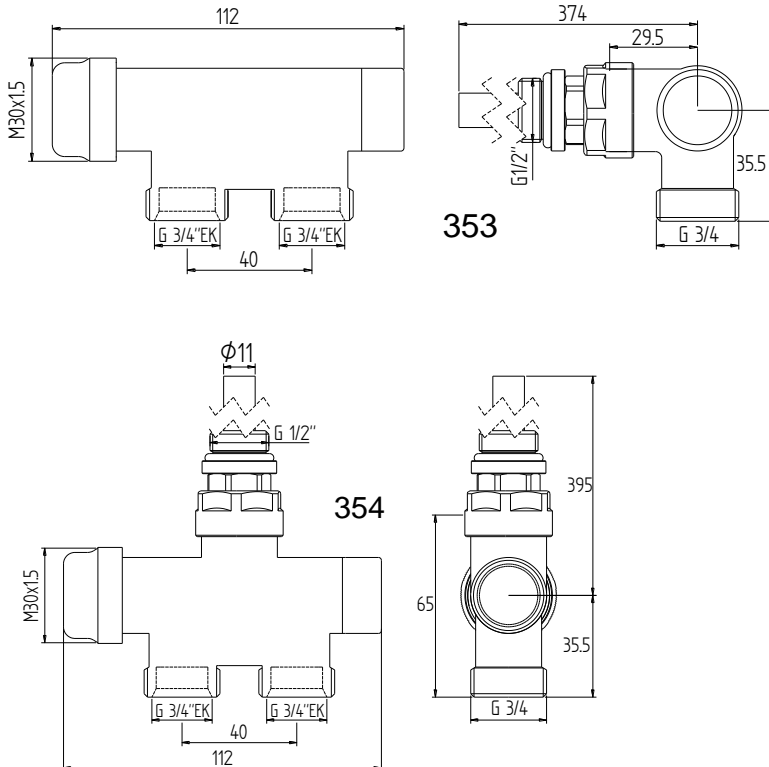
Valvola termostaticabile diritta M1/2"×3/4"EK mono/bitubo con by-pass e detentore. Int.40mm  
 Straight thermostatic mono/bitube straight valve M1/2"×3/4"EK with by-pass and lockshield.  
 Distance between connections 40 mm.

### CARATTERISTICHE - FEATURES

- Corpo calotta e codolo ottone CW617N.
- Componenti interni ottone CW614N
- Volantino in ABS.
- guarnizione tenuta O-ring: EPDM
- finitura superficiale nichelata CP, cromata TA.
- filettature ISO 228/1
- PN 10: TEMP. : -10°C ÷ 100°C

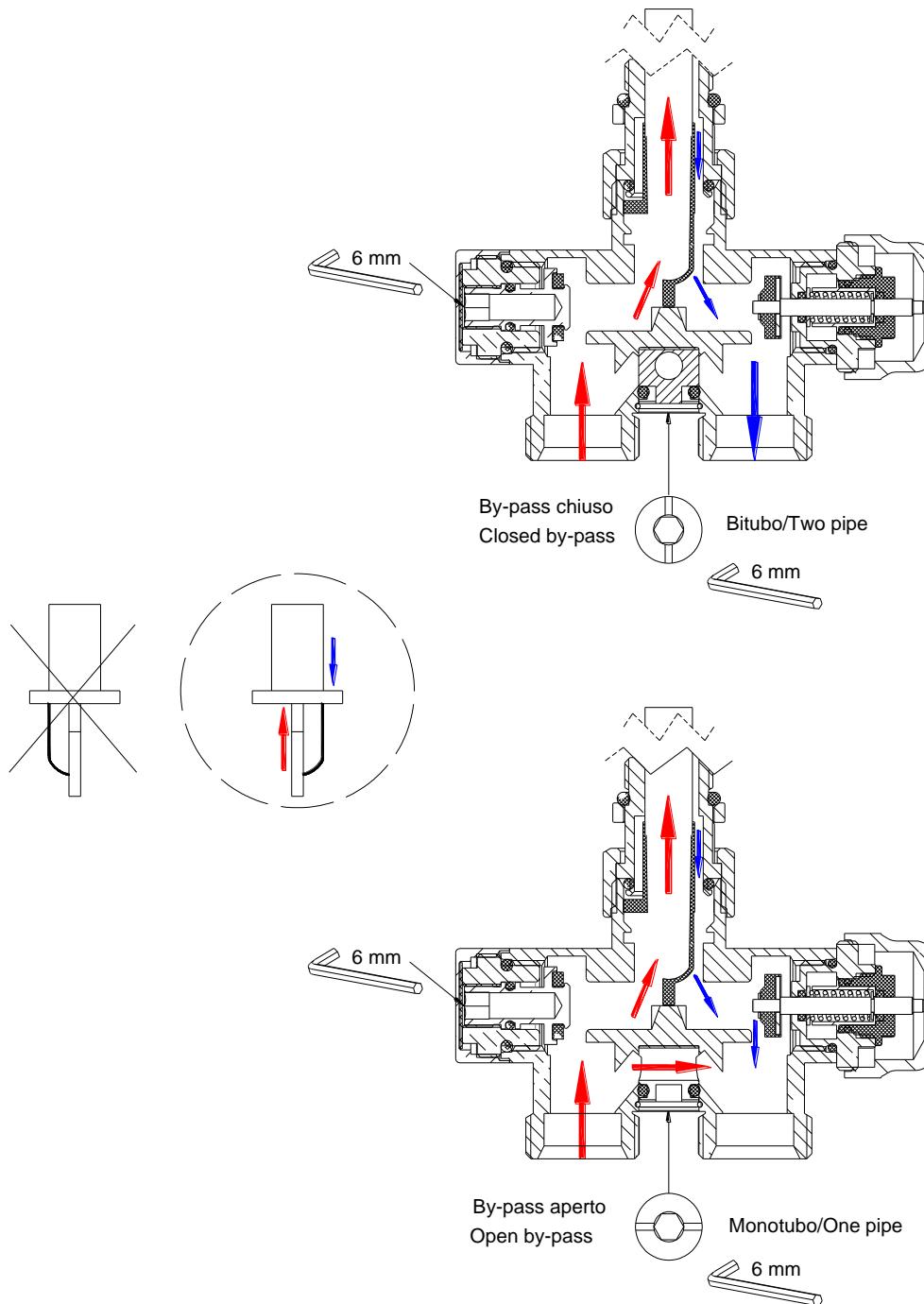
- brass CW617N body, tail and nut.
- Brass CW614N internal components.
- ABS cap
- Sealing gasket O-ring: EPDM
- Nickel plated finishing CP, chrome finish TA.
- threading to ISO 228/1.
- PN 10: TEMP. : -10°C ÷ 100°C

### DIMENSIONI PRINCIPALI - LEADING DIMENSIONS



### ADATTATORI-FITTINGS

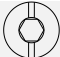
### CONFIGURAZIONE – CONFIGURATION




**PERDITE DI CARICO - PRESSURE DROPS**

REGOLAZIONE DELLA PORTATA: Chiudere completamente il detentore, il bilanciamento della portata avviene aprendo l'otturatore con chiave a brugola da 6mm.

*FLOW REDUCTION: Close completely the lockshield valve, the flow balancing is done by opening the shutter with the hexagon allen wrench 6mm.*

353 angolo-angle		N° giri N° turn	1	2	3	4	TA
By-pass aperto Open by-pass	 Monotubo/One pipe	Kv	1.32	1.80	2.00	2.04	2.06
By-pass chiuso Closed by-pass	 Bitubo/Two pipe	Kv	0.32	0.80	1.01	1.04	1.06

354 diritta-straight		N° giri N° turn	1	2	3	4	TA
By-pass aperto Open by-pass	 Monotubo/One pipe	Kv	1.28	1.81	2.06	2.08	2.15
By-pass chiuso Closed by-pass	 Bitubo/Two pipe	Kv	0.28	0.80	1.07	1.10	1.13